

LED Luminaire

The Enbryten portrait series of LED Luminaires is ideal for low location or sconce/up lighting. The Enbryten Portrait series features Permilight's patented thermal management technology to ensure heatspreading away from the LEDs to extend the useful life of the luminaire. Available in a high (90-240VAC) or low voltage (12-24VAC/DC) input option, the Enbryten Portrait series is a self contained UL Listed luminaire with its own built in LED driver. Designed to be mounted to a single gang junction box or bell box, the Enbryten Portrait can be used in new or retrofit applications adapting quickly to the existing high voltage or legacy low voltage AC systems. The Enbryten Portrait comes standard with a three (3) position brightness setting so you can adjust the luminaire for the intensity needed in the application. Available in White, Amber, Red, Green, or Blue LED lighting, the Enbryten luminaire is available in over 20 standard finishes from standard single color powder coat to exotic KolorTek finishes designed to match your end application. The Enbryten is a three (3) part system consisting of LED module, fixture, and power supply - all interchangeable and replaceable within a matter of minutes allowing for versatility and longevity over its lifetime. The Enbryten Portrait is warranted for 3 years.



Features/Benefits

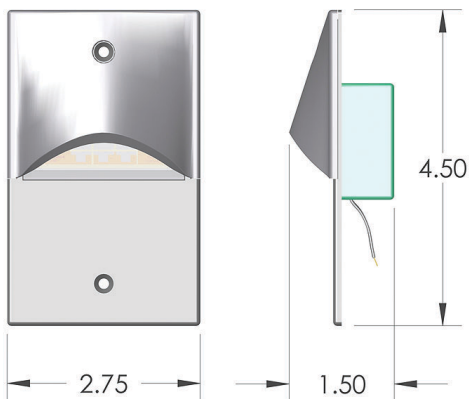
- Up to 10 years of continuous use
- Match any surface finish with KolorTek faux finishes
- Low temperature touchable fixture
- Mechanically replaceable parts
- Mounts to single gang junction box
- High (90-240VAC/50-60Hz) or Low (12-24VAC or DC) input
- UL 2108 and UL 1598 Pending

Applications

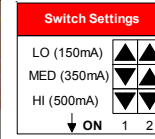
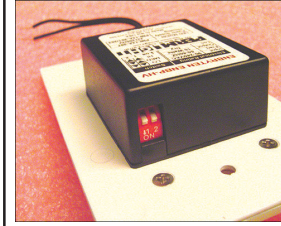
- Residential or Commercial low location or wall sconces
- Boating or RVs
- Hospitality Hallway Lighting
- Movie Theatre Egress Lighting
- Stairwells and landings



Mechanical Specifications

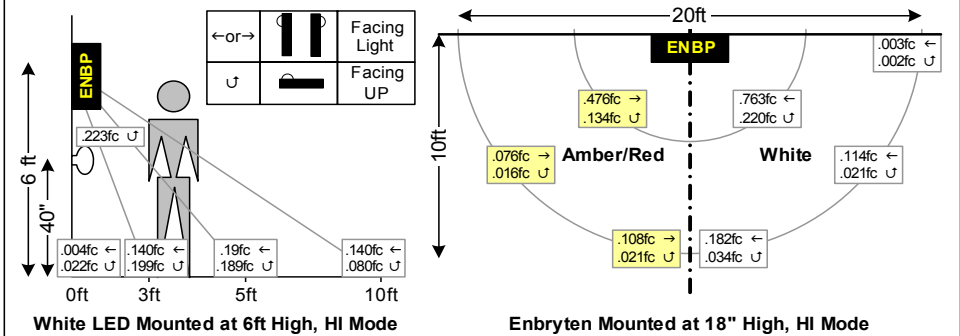


Variable Brightness Settings



The Enbryten Series comes standard with three (3) brightness setting to adjust to intensity for your application. The Low Voltage (LV) Series features an ability to work with emergency back up lighting systems. In AC or sinusoidal mode the light will be set in accordance with dip switch settings. Regardless of settings, in a switch to square wave or emergency/UPS backup mode, the light will switch to 500mA or the Brightest mode.

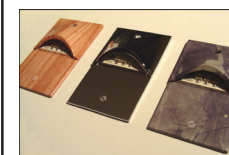
Light Output



Electrical Ratings

P/N	Color LED	Input						Output						Temp (°C)				
		V(in) AC		Freq (Hz)		V(in) DC		LO mode		MED mode		HI mode		Ta	Tstg			
		Min	Max	Min	Max	Min	Max	Po	Vo	Io	Po	Vo	Io			Min	Max	
ENBP-LV	A, R W, B, G	12	24	50	60	12	24	0.86	5.7	0.15	2.21	6.3	0.35	3.45	6.9	0.50	-40	+85
ENBP-HV	A, R W, B, G	90	240	50	60	n/a	0.86	5.7	0.15	2.21	6.3	0.35	3.45	6.9	0.50			

Selector Guide



The Enbryten Series is available in low voltage and line voltage input versions, has several LED light color options and is available in many fixture finishes. The fixtures are available in powder coated solid color finishes, KolorTek Faux finishes, or plated finishes. Also, depending on the installation application a clear or frosted (typical for upright wall sconce) lens is available. Individually boxed.

PN Prefix	Select Input Voltage	Light Color	Lens	Fixture Finish
ENBP-	High (90-240VAC/50-60Hz) HV Low (12-24VAC/DC) LV	White W Red R Blue B Green G Amber A	Clear C Frosted F	Black BLK
				White WHT
				Ivory IVORY
				Pine Wood PW
				Blue/Grey Marble BM
				Aged Copper CU
				Faux Patina PAT
				Oak OAK
				Mahogany/Rosewood MW
				Graphite GRP

Examples:
ENBP-HV-W-C-PAT (Enbryten, 90-240VAC input, White LED, Clear Lens, Faux Patina fixture finish).
ENBP-LV-A-F-BLK (Enbryten, 12-24VAC Input, Amber LED, Frosted Lens, Black fixture finish)