



RailLight™ PL620 Series

PRODUCT
DATASHEET

LED RAIL LIGHTING

The PL620 is an LED linear light array encased in a 2.00" (50.80mm) diameter aluminum fixture with a plastic diffuser. Engineered for interior and exterior applications, the RailLight was designed for a variety of applications such as a handrail for handicap access in public spaces when mounted horizontally or an illuminated light

pole when applied vertically, providing a distinct neon like illumination in a low voltage lighting solution. Named RailLight the PL620 is designed with a matt finished aluminum extrusion, and available with Blue, Green or White, LEDs. The PL620 operates on 12volts DC and available up to a maximum length of 12 feet.

Features/Benefits

- Suitable for indoor and outdoor applications
- Operates on 12 volts DC
- Reduced installation cost
- Aluminum housing and polycarbonate diffuser
- No breakable parts
- Low Voltage
- 90% Savings Over Neon

Applications

- Exterior and Interior Structural Accent Lighting
- Handrail Lighting
- Amusement Park Pathway Illumination
- Theatre Crowd Line Management
- Ambient Lighting
- Boat Railings
- Perimeter Markers

Technical Data

ELECTRICAL CHARACTERISTICS

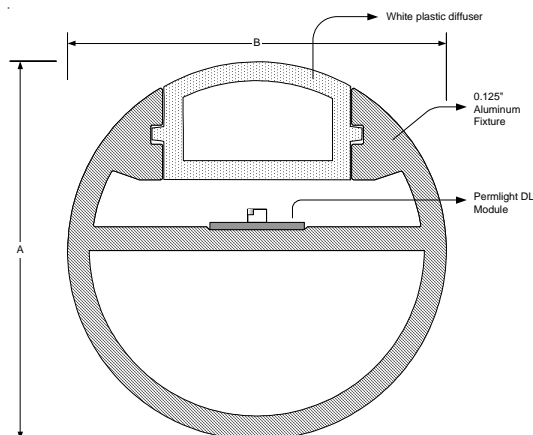
Ambient Temperature Operating Range -20°C to +60°C
Storage Temperature Range -40°C to +100°C

ELECTRICAL SPECIFICATIONS

Light Source LED (light emitting diode)
Operating Voltage 12Volts DC
LED Life Span up to 100,000 hours
Required Power Supply see power supply section on page 2
Power Consumption per foot 1.50W
Maximum Length 12 feet

Note: The values represented for maximum modules for power supply and maximum modules per circuit refer only if used with Permlights power supply model PL250-xxx series. For further information refer to the Power Supply Selection Guide

PRODUCT LAYOUT



Dim	Inches	Millimeters
A	2.00	50.80
B	2.00	50.80

For the latest technical information visit:
www.permlight.com

Order Information

Part Number

Document Number

- **PL620-B470**
2" Diameter RailLight with Blue LED PL620
- **PL620-G525**
2" Diameter RailLight with Green LED PL620
- **PL620-WHT**
2" Diameter RailLight with White LED PL620

NOTE:

For detailed specifications of the parts listed, visit www.permlight.com to obtain the latest document versions.

Accessories

POWER SUPPLY

PL250-12D-C (hard-wire)

120 Volts AC to 12 Volts DC - 4 Circuit Power Supply

Location Rating	Damp
Input Voltage	120VAC
Input Current	4.0A max.

PL250-12D-220

220 Volts AC to 12 Volts DC - 4 Circuit Power Supply

Location Rating	Damp
Input Voltage	220VAC
Input Current	4.0A max.

PL250-12D-277

277 Volts AC to 12 Volts DC - 4 Circuit Power Supply

Location Rating	Damp
Input Voltage	277VAC
Input Current	4.0A max.

PL60-12D (5amp)

120 Volts AC to 12 Volts DC - Single Circuit Power Supply

Location Rating	Damp
Input Voltage	120VAC
Input Current	1.0A max.

Note: For detailed specifications of Permlight's available power supplies, please visit www.permlight.com to obtain the latest document versions of the listed parts.